

Pro Series Collection

30 Inch Rectangle Single Bowl Undermount
Small Radius Corners Stainless Steel Laundry Sink

model:

SR3018-12-16

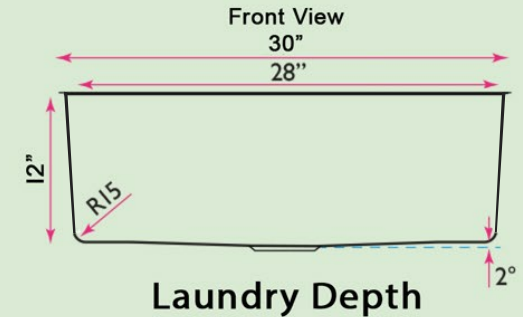
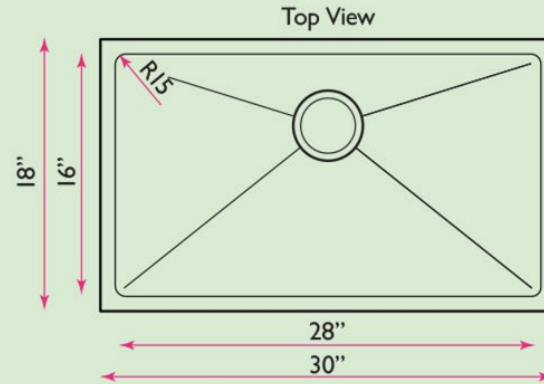


Nantucket
S I N K S

www.NantucketSinksUSA.com
info@nantucketsinksusa.com



SPECS



OVERALL DIMENSIONS	INTERIOR BOWL	BOWL DEPTH	BOTTOM GRID(S)	DRAIN DIMENSIONS
30" x 18"	28" x 16"	12"	BG-SR3018	3.5" Opening

FEATURES:

- Premium 304, 16 gauge stainless steel kitchen sink
- Colander drain and grid included (Lux accessory pkg.)
- Basin has a 2° degree pitch to help with drainage
- Brushed satin finish
- Limited lifetime manufacturer's warranty
- Insulated to reduce condensation
- Rubber padding is applied for noise reduction
- Fits 33" cabinet base minimum
- 3.5" Standard drain opening
- Professional installation recommended
- Template included

Project Name: _____

Architect / Contractor: _____

Job Notes: _____
