

Victorian Collection

Stainless Steel Matte Black Sink Stand for
48" Victorian Fireclay Utility Sinks

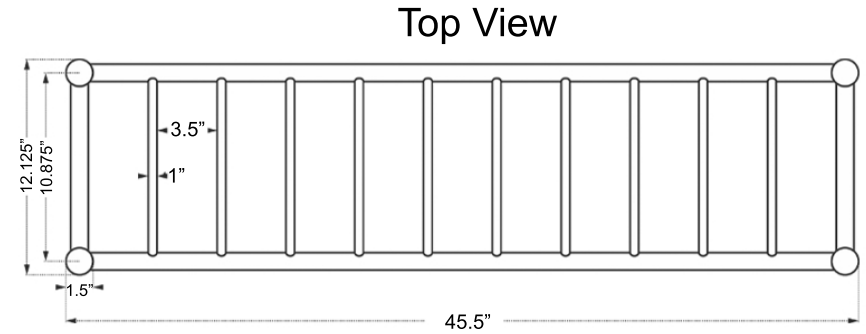
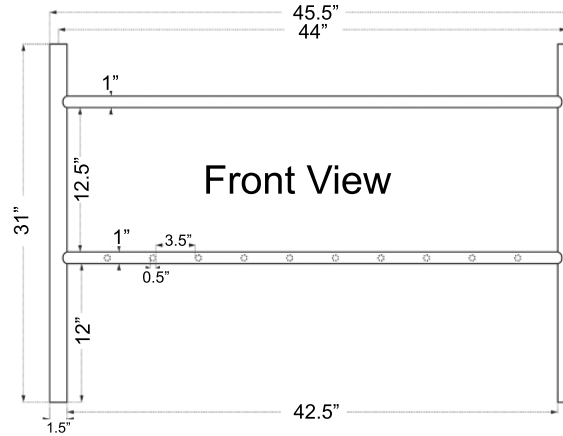


Nantucket

S I N K S

www.NantucketSinksUSA.com
info@nantucketsinksusa.com

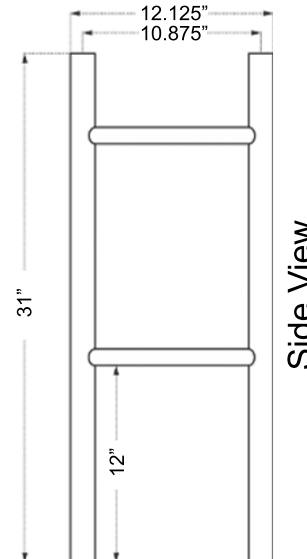
MODEL:
NS-VC48-SSMB



OVERALL DIMENSIONS	LENGTH	HEIGHT	WIDTH	FITS
45.5" x 31" x 12.125"	45.5"	31"	12.125"	48" Fireclay Utility Sinks

Features

- Polished Stainless Steel
- Adjustable Levelers
- Custom Made to Fit the 48" Fireclay Victorian Utility Sinks Only
- Matte Black Finish



Project Name: _____

Architect / Contractor: _____

Job Notes: _____
